

CastAway[®] CTD

Distributed by:

Lab Unlimited
CARL STUART GROUP

Tallaght Business Park
Whitestown
Dublin 24
Ireland

Tel: (01) 4523432
Fax: (01) 4523967
E-mail: info@labunlimited.com
Web: www.labunlimited.com

Unit 59, Frimley House
35 High Street
Frimley, Surrey
GU16 7JQ

Tel: 08452 30 40 30
Fax: 08452 30 50 30
E-mail: info@labunlimited.co.uk
Web: www.labunlimited.co.uk

The CastAway[®]-CTD with profiling and analysis software

The CastAway-CTD is a lightweight, easy to use instrument designed for quick and accurate conductivity, temperature, and depth profiles. Starting with a unique six-electrode conductivity cell and fast response thermistor the CastAway makes use of modern technology to provide state of the art CTD measurements.

The palm-sized CastAway-CTD can easily be deployed from small boats. Each cast is referenced with both time and location using its built-in GPS receiver. Plots of conductivity, temperature, salinity and sound speed versus depth can be viewed immediately on the CastAway's integrated color LCD screen in the field.

The rugged, non-corrosive housing, AA battery power and tool-free operation reflect the technician-friendly pedigree of the CastAway-CTD. Profile data is easily downloaded via Bluetooth to a Windows computer for detailed analysis and/or export. The CastAway software displays profiles of the casts in addition to mapping the locations of the data collection points. Data can also be exported to Hypack or Matlab and integrates with RiverSurveyor software for applying sound speed corrections.



The CastAway incorporates the most modern technology available yet is simple to use. It is designed for profiling down to 100 m and is easy to deploy.



*The CastAway-CTD
Accurate, reliable data in
the palm of your hand!*

APPLICATIONS:

- Coastal Oceanography
- Hydrology
- Aquaculture/Fisheries
- Saltwater Intrusion
- Surveying/Hydrography
- Sound Velocity Profiles
- Field Sensor Verification
- Estuarine Research



HIGHLIGHTS:

- 5Hz response and sampling rate
- Accurate to 0.1 PSU, 0.05°C
- Internal GPS
- Bluetooth wireless data download
- No user calibration required
- No tools, computers or cables required



*The CastAway-CTD
is fully compatible with the
RiverSurveyor S5/M9*



Specifications

To order, or for more information, contact SonTek at inquiry@sontek.com

+1 858 546 8327 (Globally) sontek.com/castaway

YSI Environmental
+1 937 767 7241
Fax +1 937 767 9353
environmental@ysi.com

YSI Integrated Systems & Services
+1 508 748 0366
systems@ysi.com

SonTek/YSI
+1 858 546 8327
inquiry@sontek.com

YSI Gulf Coast
+1 225 753 2650
gulfcoast@ysi.com

YSI Hydrodata (UK)
+44 1462 673 581
europe@ysi.com

YSI Nanotech (Abu Dhabi)
+971 25631316
samer@nanotech.co.jp

YSI South Asia
+91 9891220639
sham@ysi.com

YSI (Hong Kong) Ltd
+852 2891 8154
hongkong@ysi.com

YSI (China) Ltd
+86 10 5203 9675
beijing@ysi-china.com

YSI Nanotech (Japan)
+81 44 222 0009
nanotech@ysi.com

YSI Australia
+61 7 39017223
australia@ysi.com

ISO 9001
ISO 14001

San Diego, California, USA

SonTek, RiverSurveyor and CastAway are registered trademarks of YSI Inc.
© 2011 YSI Incorporated
Printed in USA S13-03



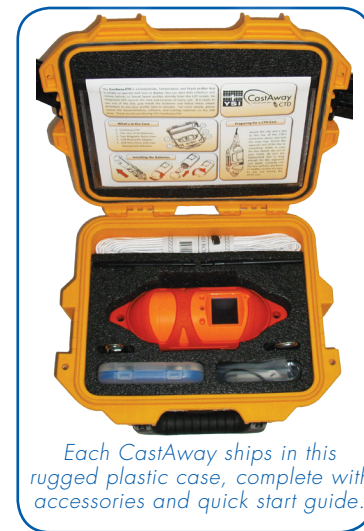
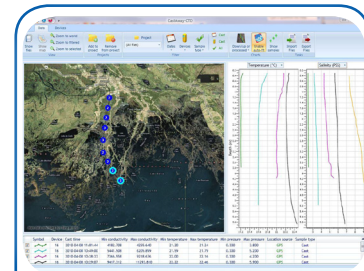
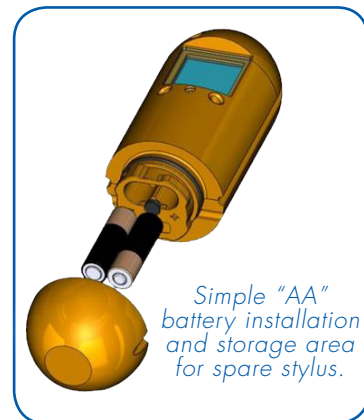
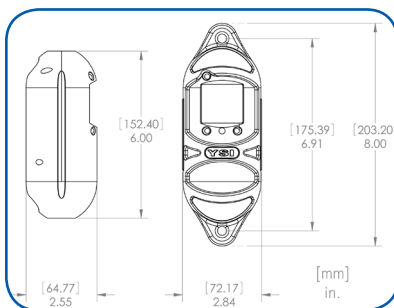
Sound Principles.
Good Advice.

- Memory** 15 MB (750+ casts based on typical usage)
- Communications** Bluetooth class II, up to 10 m range
- Power** 2 "AA" alkaline batteries, 40 hours continuous use
- Data Output Format**
 - ASCII (CSV)
 - Hypack
 - Matlab
- Environmental**
 - Depth range: 0-100 m
 - Use temperature: -5° to 45° C
 - Storage temperature: -10° to 50° C
- Sampling Modes**
 - Casting (up/down)
 - Point sample (moving the unit back and forth)
- Software**
 - Windows XP/Vista/7
 - Geo-referenced
 - Multi-language
 - Data plots, filtering, import/export
- Accessories**
 - Rugged plastic storage/shipping case
 - Polyurethane jacket
 - 15m deployment line
 - Bluetooth dongle
 - Two locking carabiners
 - Three magnetic stylus pens
 - Cleaning brush

Thermistor Response Less than 200 ms (5 Hz)

Sampling Rate 5 Hz

Weight In air: 1.0 lb (0.45 kg)
In water: 0.06 lbs (0.03 kg)



The CastAway-CTD Output Parameters

	Range	Resolution	Accuracy	Measured or Derived
Conductivity	0 to 100,000 µS/cm	1µS/cm	± 0.25% ± 5 µS/cm	Measured
Temperature	-5° - 45° C	0.01° C	± 0.05° C	Measured
Pressure	0 to 100 dBar	0.01 dBar	± 0.25% FS	Measured
Salinity	Up to 42 (PSS-78)	0.01 (PSS-78)	± 0.1 (PSS-78)	PSS-78 ³
Sound Speed	1400 - 1730 m/s	0.01 m/s	± 0.15 m/s	Chen-Millero ⁴
Density ¹	990 to 1035 kg/m ³	0.004 kg/m ³	± 0.02 kg/m ³	EOS80 ⁵
Depth	0 to 100 m	0.01m	± 0.25% FS	EOS80 ⁵
Specific Conductivity ²	0 to 250,000 µS/cm	1µS/cm	± 0.25% ± 5 µS/cm	EOS80 ⁵
GPS			10 m	

¹Based on temperature resolution and accuracy.

²Based on 100,000 µS/cm at -5° C.

³1978 Practical Salinity Scale.

⁴Chen-Millero, 1977. Speed-of-sound in sea water at high pressures.

⁵International Equation of State for sea water (EOS-80).

sontek.com/castaway