



**Installationsanleitung
Akku**

Seite 2



**Installation Information
Rechargeable battery**

Page 5



**Notice d'Installation
Accu**

Page 8



**Manual de Instalación
Acumulador**

Página 11



**Istruzioni per l'installazione
Accumulatore**

Pagina 14

KERN EG-A06

Version 1.0 04/2006

Distributed by:



Carl Stuart Limited

ADVANCED APPLIED TECHNOLOGIES

Contact Us:

Irl Ph: 01 4523432

UK Ph: 08452 30 40 30

Web: www.carlstuart.com

Email: info@carlstuart.com

EG-A06-IA-defsi-0610

GB

KERN EG-A06

Version 1.0 04/2006

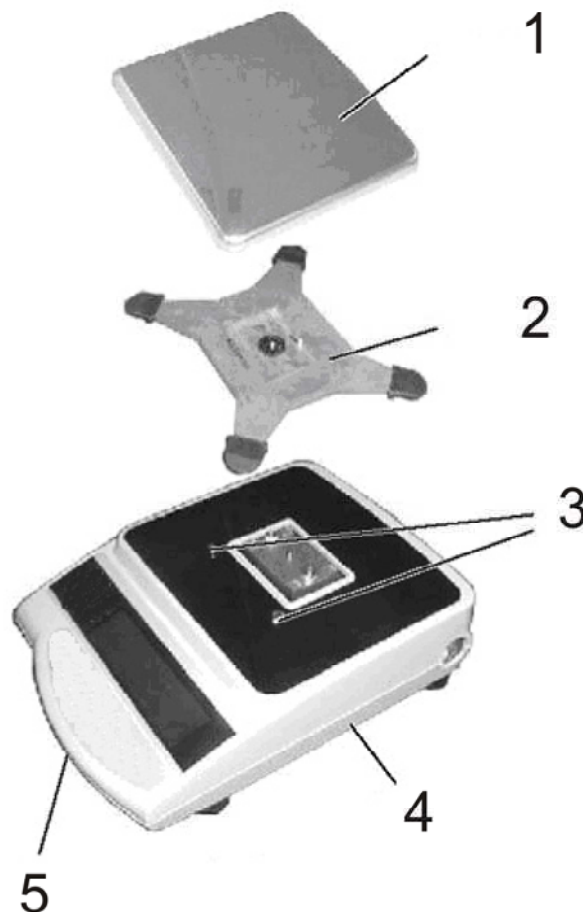
Installation Instructions

Rechargeable battery

KERN EG-A06 for models with max \geq 2200 g

How to remove the case:

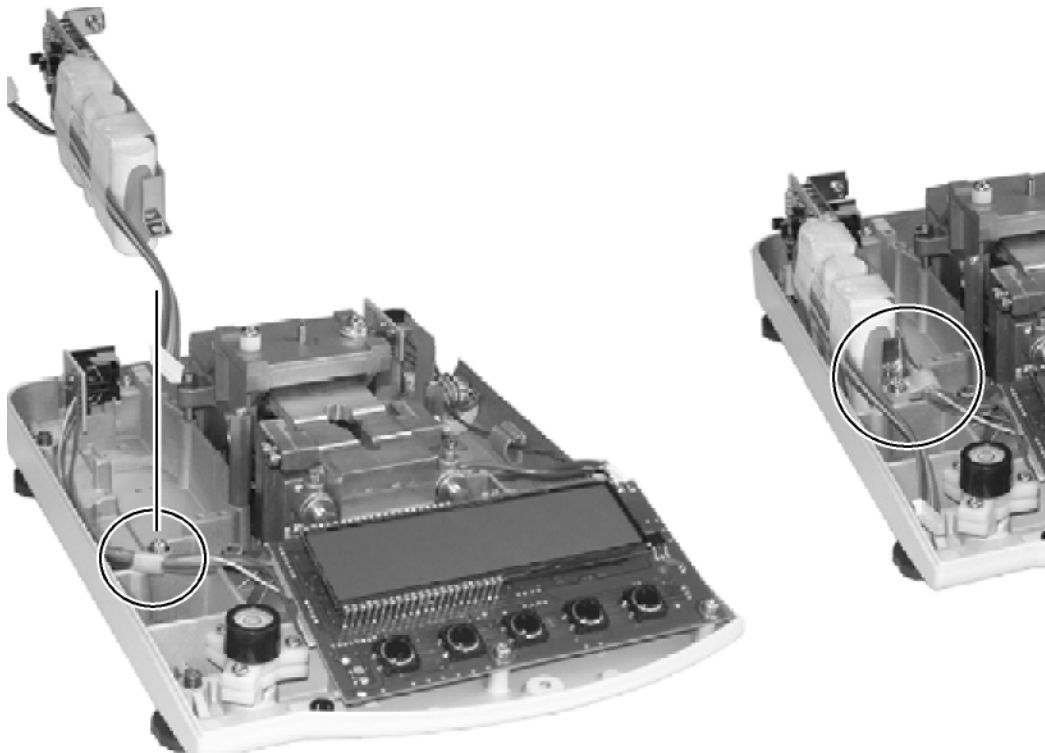
- Disconnect the balance from the mains
- Remove weighing plate (1) and carrier of weighing plate (2)
- Remove the two fastening screws (3)



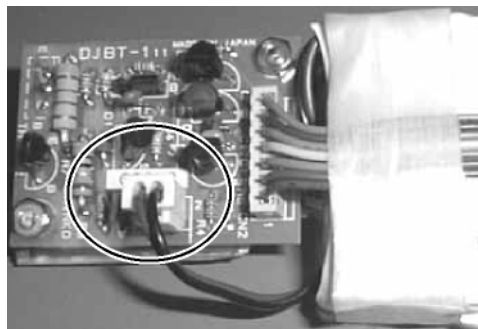
- Remove fastening screw (5) from the lower part of the housing (4) and detach the upper part of the housing carefully

To install rechargeable battery:

- Remove the cable clip.

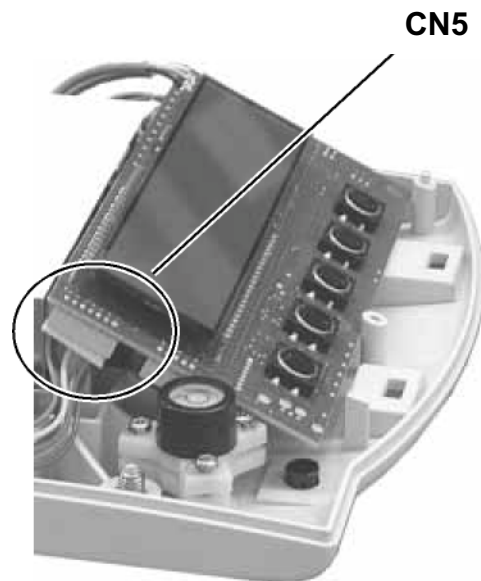


- Remove the rechargeable battery from its package and **begin by connecting the electric power supply to the circuit board of the rechargeable battery.**



- The package of the rechargeable battery is placed in the housing in a way that it can be screwed to the balance through the existing bracket by means of the cable clip loosened before.

- Remove the 2 fastening screws of the display circuit board
- Subsequently set up the plug-in connection to the display circuit board (3) of the balance (CN5).



- Now fasten also the display circuit board using the screws loosened previously.
- Place the upper housing section and attach it to the lower housing section by screws. Screw down both fastening screws (3) re-secure the bracket (2). Attach the weighing plate (1).

Information:

Though the rechargeable battery is immediately operative, it should be charged for at least 8 hours using the mains adaptor before being used for the first time.